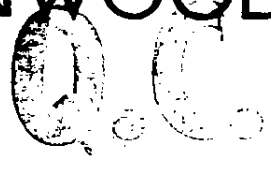


# KFC-T101D SERVICE MANUAL

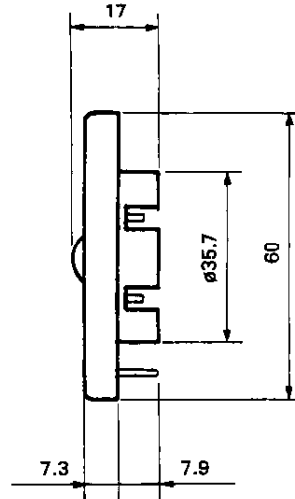
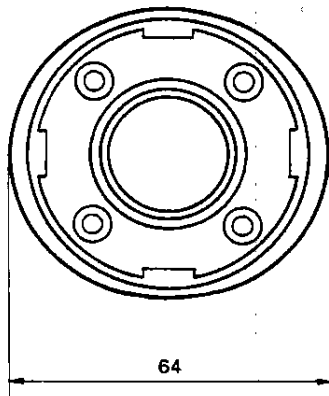
# KENWOOD



© 1989-3 PRINTED IN JAPAN  
B51-6018-00 (O) 1110

COPY

## EXTERNAL VIEW



Unit : mm

## SPECIFICATIONS

- Speaker..... 25 mm (1 in) dome type  
0.47 oz magnet
- Peak input power ..... 120 Watts
- Sensitivity ..... 88dB/W at 1m
- Frequency response..... 2,000Hz to 20,000Hz
- Resonant frequency (fo)..... 1,500Hz
- Impedance..... 4 ohms
- Weight per speaker with grille.... 110g (3.9oz)/pc

We follow a policy of advancements in development. For this reason specifications may be changed without notice.

## PARTS LIST

\* New Parts

Parts without **Parts No.** are not supplied.

Les articles non mentionnés dans le **Parts No.** ne sont pas fournis.

Teile ohne **Parts No.** werden nicht geliefert.

Ref No.	New Parts	Parts No.	Description
		B46-0100-10	WARRANTY CARD
		T03-0261-08	SPEAKER (TWEETER)

## KENWOOD CORPORATION

Shionogi Shibuya Building, 17-5, 2-chome Shibuya, Shibuya-ku, Tokyo 150, Japan

### KENWOOD U.S.A. CORPORATION

2201 East Dominguez Street, Long Beach, CA 90810,  
550 Clark Drive, Mount Olive, NJ 07826, U.S.A.

### KENWOOD ELECTRONICS CANADA INC.

P.O. Box 1075 959 Gana Court, Mississauga, Ontario, Canada L4T 4C2

### KENWOOD ELECTRONICS BENELUX N.V.

Mechelsesteenweg 418 B-1930 Zaventem, Belgium

### KENWOOD ELECTRONICS DEUTSCHLAND GMBH

Rembrucker-Str. 15, 6056 Heusenstamm, West Germany

### TRIO-KENWOOD FRANCE S.A.

Hi-Fi-VIDEO-CAR Hi-Fi  
13, Boulevard Ney, 75018 Paris, France

### TRIO-KENWOOD U.K. LTD.

17 Bristol Road, The Metropolitan Centre, Greenford, Middx. UB6 8UP England

### KENWOOD ELECTRONICS AUSTRALIA PTY. LTD.

4E Woodcock Place, Lane Cove, N.S.W. 2066, Australia

### KENWOOD & LEE ELECTRONICS, LTD.

Wang Kee Building, 4th Floor, 34-37, Connaught Road, Central, Hong Kong